

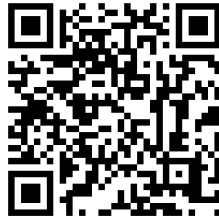
EN

SUPPLEMENTAL SHEET
HOLE SAW SET



Important notes

You can download the current version of the operating manual via the following link:



<https://hub.trotec.com/?id=44658>

Also observe the instructions for your tool, particularly the safety chapter.



Warning

Risk of suffocation!
Do not leave the packaging lying around. Children may use it as a dangerous toy.



Warning

Do not process materials containing asbestos. Asbestos is considered carcinogenic.



Warning of hot surface

The insertion tool might still be hot after the application. Burn hazard when touching the insertion tool.



Do not touch the insertion tool bare-handed!
Wear protective gloves!



Warning

Toxic dusts!
The harmful / toxic dusts produced during operation pose of risk to the health of the operator and persons in the vicinity.
Wear eye protection and a dust mask!



Warning

The tool holder must be firmly locked in place before switching the device on, for an insufficiently or incorrectly clamped accessory could be catapulted out of the tool holder uncontrollably upon switch-on.

Personal protective equipment



Wear hearing protection.

Excessive noise can lead to hearing loss.



Wear eye protection.

With it you protect your eyes from splintering, falling and flying pieces which could cause injuries.



Wear a protective mask.

It saves you from inhaling harmful dusts generated when processing workpieces.



Wear protective gloves.

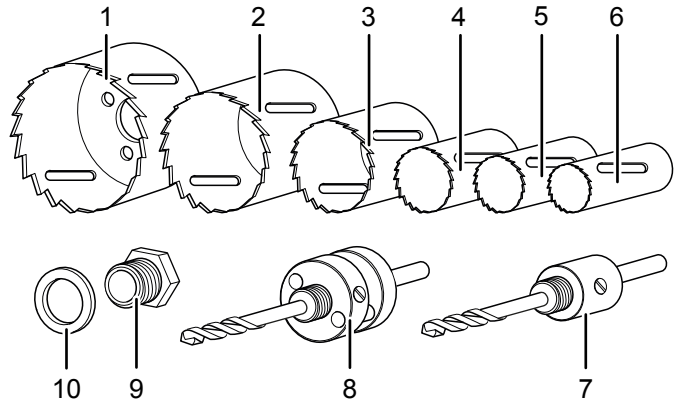
They protect your hands from burns, crushing injuries and skin abrasions.

Product overview

Product description

The HSS Bi Metal hole saw set is ideal for hole circle cuts with a cutting depth of up to 35 mm. It is particularly suitable for materials such as plasterboard, PVC fabric, acrylic, tinplate, aluminium, zinc die-cast, copper, bronze and wood. The HSS Bi Metal hole saw set is compatible with cordless drill drivers from a power with 16 V upwards and with drilling machines with a 10 mm or 13 mm drill chuck.

Product depiction



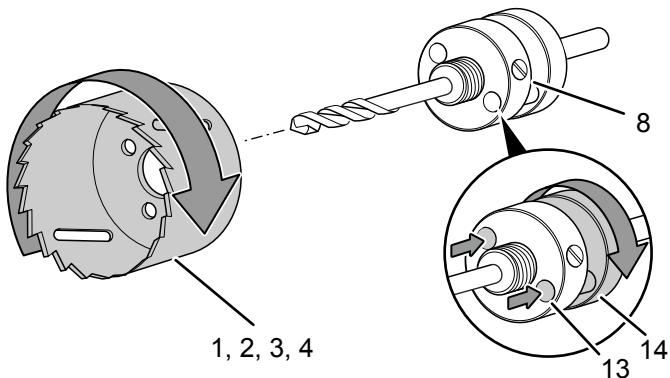
No.	Designation
1	Saw ring Ø 73 mm
2	Saw ring Ø 68 mm
3	Saw ring Ø 44 mm
4	Saw ring Ø 35 mm
5	Saw ring Ø 28 mm
6	Saw ring Ø 22 mm
7	10 mm hole saw holder with centre drill for Ø 22, 28 mm
8	13 mm hole saw holder with centre drill for Ø 35, 44, 68, 73 mm
9	10 mm adapter for hole saw holder for Ø 35, 44, 68, 73 mm
10	Washer for adapter

Operation

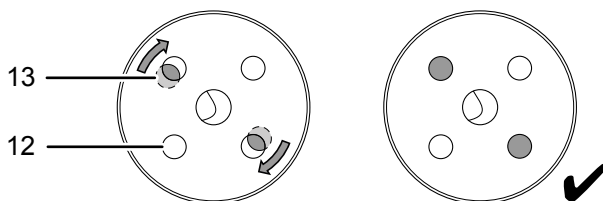
Choose the hole saw holder (10 mm or 13 mm shaft) suitable for the size of the used drill chuck. Then select a saw ring according to the desired activity and mount it on the hole saw holder as follows:

Using the hole saw holder (13 mm shaft) for the saw ring (1, 2, 3, 4)

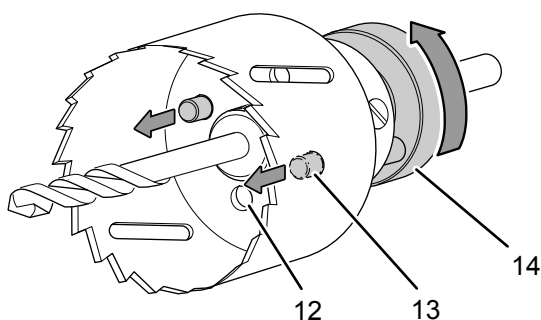
1. Ensure that the pins (13) of the hole saw holder (8) are fully recessed. If necessary, turn the locking ring (14) to tighten the pins.
2. Screw the desired saw ring (1, 2, 3 or 4) on the hole saw holder (8).



3. Align the locking holes (12) of the saw ring with the bolts (13) of the hole saw holder (8). If necessary, screw the saw ring back a little.

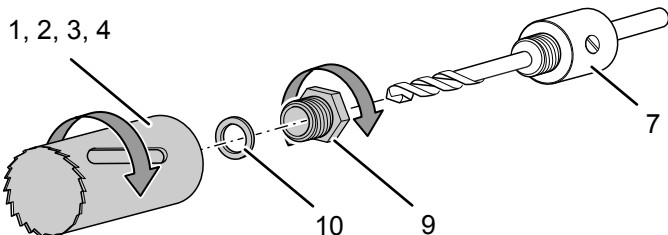


4. Turn the locking ring (14) on the hole saw holder (8) until the bolts (13) engage in the locking holes (12) of the saw ring.



Using the tool holder (10 mm shaft) with adapter for the saw ring (1, 2, 3, 4)

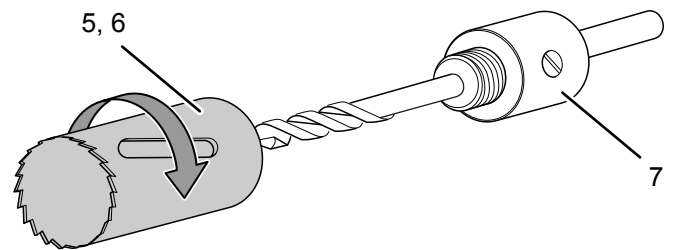
1. Screw the adapter (9) on the hole saw holder (7).
2. Place the washer (10) on the adapter (9).



3. Screw the saw ring (1, 2, 3 or 4) on the adapter (9).

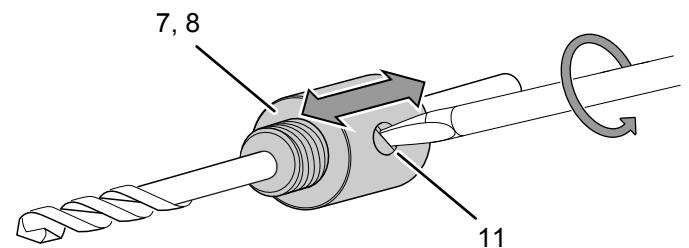
Using the tool holder (10 mm shaft) for the saw ring (5, 6)

1. Screw the saw ring (5, 6) on the hole saw holder (7).



Adjusting the length of the centre drill

1. Remove the grub screw (11) on the hole saw holder (7, 8) until you can shift the drill.



2. Adjust the centre drill in a way that it protrudes from the saw ring and thus takes hold of the material first to ensure secure guidance.

Speed recommendations

Ø in mm	rpm			
	Tinplate	Copper	Aluminium	Wood
22	390	520	585	800
28	300	400	450	500
35	250	330	375	500
44	195	260	295	500
68	130	170	195	450
73	120	160	180	300

Disposal

Disposal in compliance with official regulations.

Trotec GmbH

Grebener Str. 7
D-52525 Heinsberg

☎ +49 2452 962-400

☎ +49 2452 962-200

✉ info@trotec.com

www.trotec.com